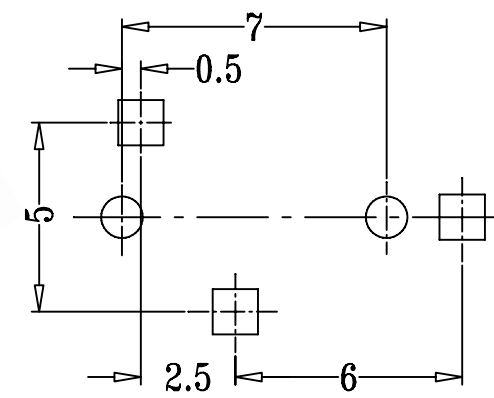
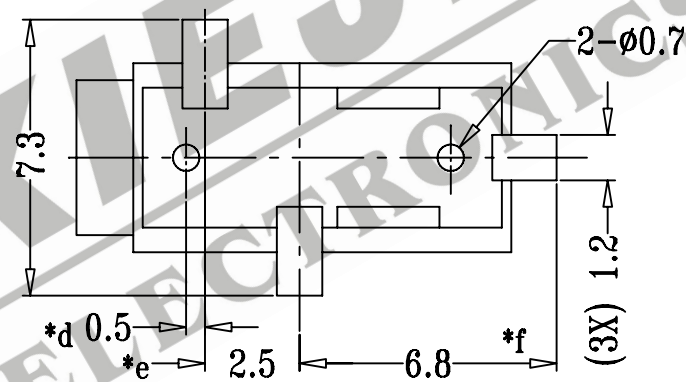
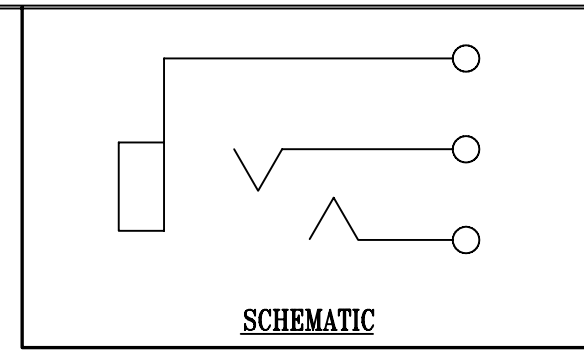
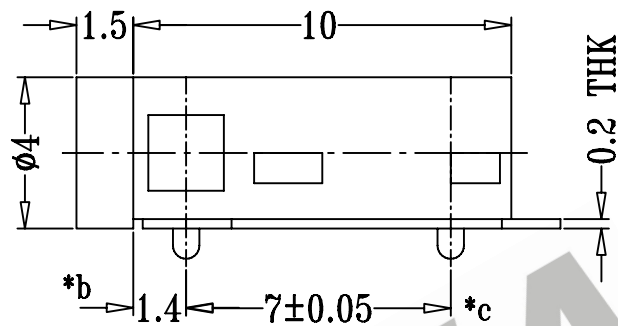
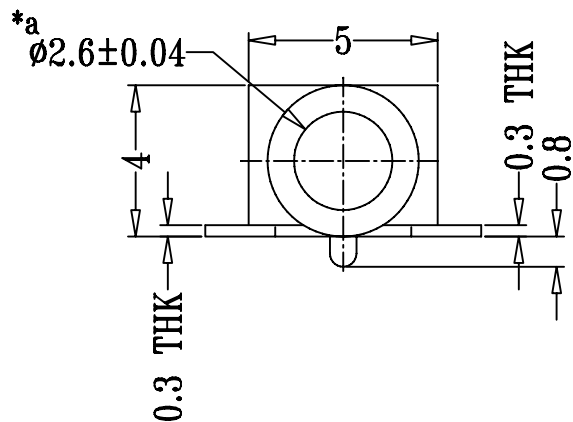


CAD FILE:



注: '\*表示关键尺寸 (6个)

| NO. | PARTS      | MATERIALS         | Q'TY | FINISH                   | TOLERANCE UNLESS SPECIFIED              | SHENZHEN XIEJIA ELECTRONICS CO.,LTD. |            |                          |        |           |
|-----|------------|-------------------|------|--------------------------|---|--------------------------------------|------------|--------------------------|--------|-----------|
| 8   |            |                   |      |                          | WITHIN: 1.5±0.1mm<br>OVER: 1.5±0.2mm    | ISSUE                                | DATE       | DESCRIPTIONS OF REVISION |        | APPD.     |
| 7   |            |                   |      |                          |   |                                      |            |                          |        |           |
| 6   |            |                   |      |                          |   |                                      |            |                          |        |           |
| 5   | TERMINAL C | 0.3mm BRASS STRIP | 1    | Ag PLATED OVER Ni PLATED | TITLE : PHONE JACK                      |                                      | UNIT : mm  | DRWG NO.: XJ-DR-ST202-00 |        |           |
| 4   | TERMINAL B | 0.2mm PBS STRIP   | 1    | Ag PLATED OVER Ni PLATED | MODEL: ST-202                           |                                      | SCALE: 5:1 | DWN.                     | ZHOUYU | 2005-6-15 |
| 3   | COVER      | NYLON+F.G+94V0    | 1    | BLACK                    | ALL MATERIALS MUST BE COMPLIANT TO ROHS |                                      |            |                          |        |           |
| 2   | TERMINAL A | 0.3mm BRASS STRIP | 1    | Ag PLATED OVER Ni PLATED |   |                                      |            |                          |        | CHK'D     |
| 1   | CASE       | NYLON+F.G+94V0    | 1    | BLACK                    | APPD.                                   | KANGXINAN                            | 2005-6-15  |                          |        |           |